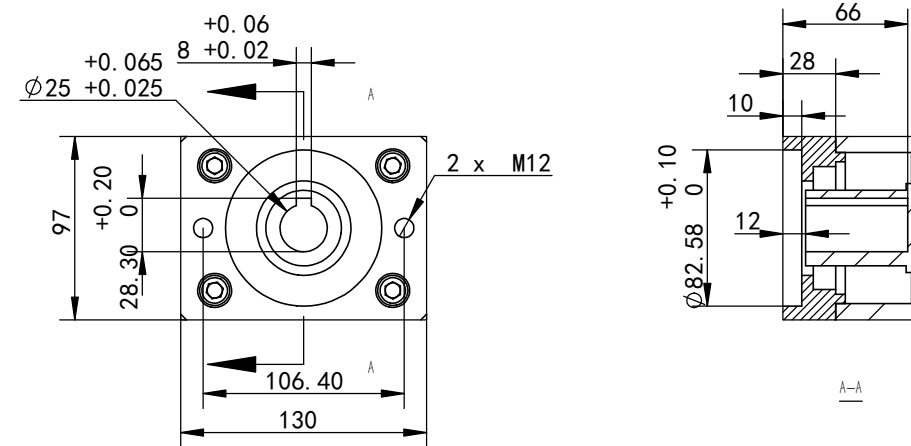
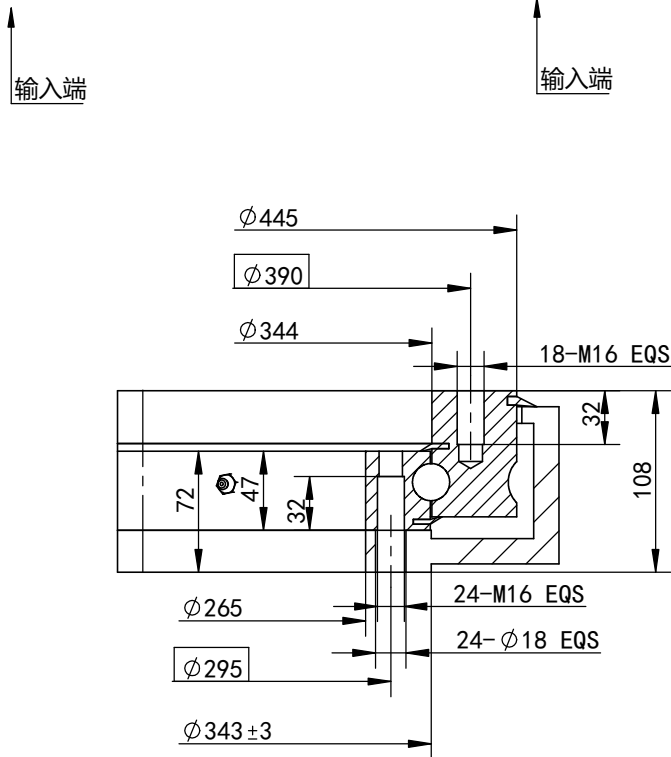
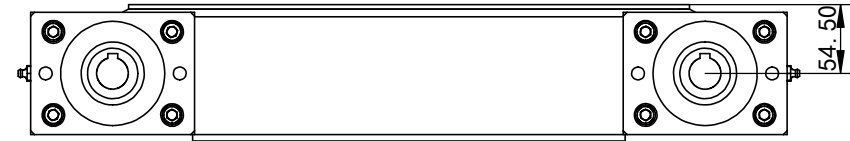


M	5
Z1	1
Z2	86
i	86
材质: 42CrMo Q+T	



REV	DATE	REVISER	DESCRIPTION			
DESIGNED BY	Lee	22.10.14		不二传动设备 (洛阳) 有限公司		回转式减速器
CHECKED BY	Bailey	22.10.14		www.U-Transmission.com		
APPROVED BY	Lane	22.10.14				
DRAWING REV	NO.	REV.A	WEIGHT	118kg	Title	回转式减速器
NON-STANDARD	NO.	xxxx	SACLE	1:3	Model No.	
SYMBOLS ISO			SIZE	A3	Model No.	WZ-III-0343-25-2-86.0 -E-xxxx-A
			SHEET	1/1		